


**Brands**


**Best Practices**

Venting Installation Instructions for  
Range Hoods and Wood Hood Liners  
(All Models)

—Addendum to Installation Instructions—

 **IMPORTANT:** Problems caused by improper installations are not covered by the manufacturer's warranty.

 **IMPORTANT:** Undersized and improperly installed duct pipe and/or other ventilation components will cause excessive static pressure (air resistance), that may result in rattling, vibration and air buffeting noises, as well as inadequate ventilation.


**1. Building Codes**

Kitchen Hood Ventilators should be installed by qualified technicians familiar with state and local building codes.


**2. Duct Pipe and Fittings (Elbows, Transitions, Roof & Wall Caps)**

- a. Use round or rectangular rigid metal duct only. Where possible, use round duct as it creates the least amount of static pressure. DO NOT use flex duct.
- b. All duct sections and fittings (EXCEPT DAMPERS, per Section 4), should overlap and be connected with at least 3 – 4 equally spaced screws and wrapped tightly with 2 – 3 layers of Aluminum Foil Metal Duct Tape. This type of duct tape is more durable than traditional cloth duct tape. DO NOT use butt joints.
- c. For best air flow, elbows and pipe size transition fittings should not be directly connected to one another. Where possible, always include at least 15 inches of straight pipe between fittings.

**3. Duct Pipe and Fitting Sizes.** (See **Duct Sizing Chart and Area Calculations** Section for more detail)

 **IMPORTANT:** DO NOT use either of the following duct pipe sizes or fitting sizes for any kitchen hood ventilator installations:

- 6" round duct pipe
- 3.25" x 10" rectangular x 6" round transitions
- 6" x 7" linear transitions

 **IMPORTANT:** No portion of any length of duct pipe or fitting should be smaller than the discharge port of the ventilator. This is very important because any type of restriction anywhere in the ventilation system will cause increased static pressure (air resistance), that may result in rattling, vibration and air buffeting noises, as well as inadequate ventilation.

Example: For ventilator models with 3.25" x 10" discharge ports, no part of the roof cap or wall cap's air path should be smaller than 3.25" x 10" (32.5 square inches) or 7" round (38.5 square inches). See **Roof Caps and Wall Caps** section for more detail.

Exception: For some short duct runs inside walls framed with 2 x 4 studs, it is a common industry practice to transition a 7" round duct to a 3.25" x 10" rectangular duct. If space allows, it is best to use a 3.25" x 14" rectangular duct with a 3.25" x 14" x 7" transition.

## Duct Pipe and Fitting Sizes (Continued)

### Duct Runs – Length

- a. Configure the ventilation duct run to be as short and as direct to the outside as possible. Minimize the number of elbows and transition fittings used. Complex or long runs should be reviewed by a qualified installer.
- b. No portion of the ducting should be run so that the exhaust air flows downward. Since exhaust heat rises, forcing the air to flow downward will cause increased static pressure. As previously mentioned, improperly installed duct pipe will cause excessive static pressure (air resistance), that may result in rattling, vibration and air buffeting noises, as well as inadequate ventilation.
- c. Duct runs for 200 CFM ventilator models should not exceed 15 linear feet with one 90-degree elbow (or two 45-degree elbows), a damper and a roof or wall cap. Longer runs or additional elbows will result in decreased ventilation performance. Each 90-degree elbow is the equivalent of 8 linear feet of duct pipe; each 45-degree elbow is equivalent to 4 linear feet of duct pipe.
- d. Duct runs for 430 CFM ventilator models should not exceed 20 linear feet with two 90-degree elbows (or four 45-degree elbows), a damper and a roof or wall cap. Longer runs or additional elbows will result in decreased ventilation performance. Each 90-degree elbow is the equivalent of 8 linear feet of duct pipe; each 45-degree elbow is equivalent to 4 linear feet of duct pipe.
- e. Duct runs for 660 – 1360 CFM ventilator models should not exceed 35 linear feet with two 90-degree elbows and two 45-degree elbows, a damper and a roof or wall cap. Longer runs or additional elbows will result in decreased ventilation performance. Each 90-degree elbow is the equivalent of 6 linear feet of duct pipe; each 45-degree elbow is equivalent to 3 linear feet of duct pipe.
- f. Always run ventilator ducts to the outdoors. DO NOT terminate a duct into an attic, basement, garage, crawl space under a house, a chimney, other ducting or an enclosed room.

## 4. Dampers



**IMPORTANT:** DO NOT USE SCREWS TO ATTACH ANY TYPE OF DAMPER AS THE SCREWS MAY BLOCK THE DAMPER BLADES.



**IMPORTANT:** DO NOT USE MORE THAN ONE DAMPER IN THE VENTILATION SYSTEM. **NOTE:** Many styles of roof caps and wall caps have built-in dampers. See **Roof Caps and Wall Caps** section for more detail.

Always use carefully crafted, tightly wrapped Aluminum Foil Metal Duct Tape on all connections and physically view and test the damper blades to make certain they are opening and closing correctly. Make sure that the damper blades do not touch the duct walls and that there is no debris blocking the free movement of the damper mechanism. Common things to look for include screws protruding into the blade's path, overspray of paint, plaster and insulation. If using rectangular duct, be sure that all four sides of the duct are on the outside of the damper's start collar or frame.

- a. **200 CFM Models**  
200 CFM models have an optional 7" round plastic damper (Part #707) which may be attached directly to the ventilator. **DO NOT USE SCREWS TO ATTACH THE DAMPER AS THE SCREWS MAY BLOCK THE DAMPER BLADES.** ALWAYS use Aluminum Foil Metal Duct Tape on all connections and physically view the damper blades to make certain they are operating correctly.
- b. **430 CFM Models**  
430 CFM models have a 3.25" x 10" rectangular metal damper attached directly to the ventilator.

DO NOT USE SCREWS TO ATTACH THE DUCT TO THE DAMPER FRAME AS THE SCREWS MAY BLOCK THE DAMPER BLADE. ALWAYS use Aluminum Foil Metal Duct Tape on all connections and physically view the damper blade to make certain it is operating correctly. On ventilator installations designed to recirculate the exhaust air back into the kitchen, be sure to remove the aluminum damper blade before attaching the duct to the damper frame.

c. **660 – 1360 CFM Ventilator Models**

**Damper in Roof Cap or Wall Cap**

In ventilation systems utilizing a roof cap or wall cap ***with*** a built-in damper, do not install an additional in-line damper. Two dampers are unnecessary and will cause increased static pressure (air resistance), that may result in rattling, vibration and air buffeting noises, as well as inadequate ventilation.

**In-line Damper** (for ventilation systems utilizing a roof cap or wall cap ***without*** a built-in damper)

In cold weather areas, installing an “in-line” damper may be the preferred type of installation. This is because in-line dampers installed just above the perimeter of the heated space (the ceiling) will reduce the amount of cold air traveling down the duct into the heated space and into the kitchen through the ventilator.

In-line dampers must be installed so that the exhaust air flow will open the butterfly blades.

For **horizontal duct runs**, the in-line damper must be installed so that the hinge between the two butterfly blades is **vertical**—the hinge pin must point up and down. Otherwise, because of gravity, the damper’s blades will not close and the damper will not prevent backdrafts.

For **vertical duct runs**, the in-line damper’s hinge will be **horizontal** (sideways), which is correct for vertical duct runs. Gravity will help close the damper blades after each use.

For **upward slanted duct runs**, the in-line damper’s hinge must point to the top and bottom sides of the duct. In his position, gravity will help close the damper blades after each use. Otherwise, because of gravity, the damper’s blades will not close and the damper will not prevent backdrafts.

## 5. Roof Caps and Wall Caps

The roof cap or wall cap is the termination point of the venting system that allows the exhaust air to exit to the outdoors. All sections of this fitting must have an equal or greater air path area than the ventilator’s discharge port. If any section of the roof cap or wall cap is smaller than the ventilator’s discharge port, the entire ventilation system will lose efficiency and the restriction will cause increased static pressure.



**IMPORTANT:** Even though the intake side of the roof cap or wall cap may be properly sized, roof caps or wall caps with built-in dampers must be made so that when the damper is fully open, the actual open area of the final air path is equal to or greater than the discharge port of the ventilator. Any undersized portion of a roof cap or wall cap will cause excessive static pressure that may result in rattling, vibration and air buffeting noises, as well as inadequate ventilation.

Roof caps and wall caps must have an integral bird screen.

## 6. Attaching Duct to House Framework

The ventilation system should be attached to the framework in such a manner that the weight of the duct and fittings is supported with no stress on the duct joints, fittings or on the ventilator. All ducting should be attached so as to avoid any possible duct vibration from being transferred to the house’s framework.

### 7. Hoods with Optional Top or Back Venting

Several range hood models provide the option of venting the exhaust air out the top or back side of the range hood. On some models, this is accomplished by redirecting the motor/blower unit to exhaust through the top, back or the recirculation position. On other models, the duct pipe is attached directly to the start collar which can be attached to the top side or back side of the hood. For more details on this aspect of the installation, see the detailed Installation Instructions packaged with each unit.



**IMPORTANT:** On models with multiple venting ports, the open holes/slots around the unused venting port(s) **MUST BE SEALED with Aluminum Foil Metal Duct Tape**. Otherwise, exhaust air and smoke will be vented through the unused Vent Knockout's holes/slots. On models featuring the recirculation option, if this option is NOT used, the vent port inside the hood should also be taped over with Aluminum Foil Metal Duct Tape. **UNUSED PORTS SHOULD BE TAPED BEFORE THE RANGE HOOD IS MOUNTED TO THE WALL OR CABINET.**

### 8. Liners Using Optional Vent Transition Accessory

On installations using the optional vent transition accessory to transition to 10" round duct, all bottom edges of the transition should be taped to the liner with 2 – 3 layers of Aluminum Foil Metal Duct Tape.

### 9. Duct Sizing Chart and Area Calculations

Ventilator Discharge Port Types & Sizes		Duct Type Required	Duct Size (in Square Inches)	Minimum Discharge Size of Roofcap or Wallcap Outside Opening
7" Diameter, Round	38.5"	7" Round Metal Duct	38.5"	38.5"
8" Diameter, Round	50.25"	8" Round Metal Duct or 6" x 9" Rectangular Metal Duct	50.25" 54"	50.25" 54"
10" Diameter, Round	78.5"	10" Round Metal Duct	78.5"	78.5"
3.25" x 10" Rectangular	32.5"	3.25" x 10" Rectangular Metal Duct	32.5"	32.5"

#### Calculating Square Inches of Various Duct Sizes & Types

ROUND DUCT					
Radius	x	Radius	x	3.1416	= Area (Sq. Inches)

The "radius" is one-half the diameter of a round duct, e.g., ½ of a 10" round duct is 5". 3.1416 is "Pi", the "constant" used when calculating the area of a circle.

RECTANGULAR DUCT				
Width	x	Depth	=	Area (Sq. Inches)

Roof cap examples. Choose by using the chart above and measuring the area of the air exit opening. (Figure 1 is smallest option, should only ever be used with 3.25" x 10" duct).

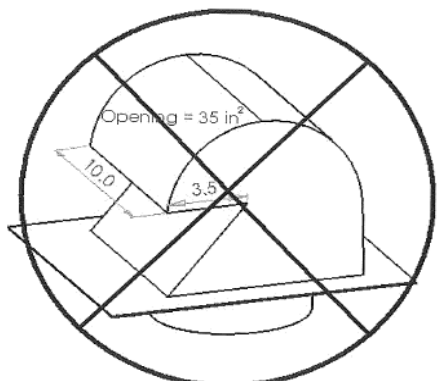


Fig. 1

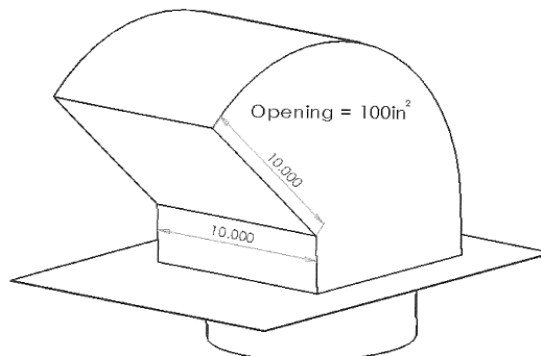


Fig. 2