

PROFESSIONAL SERIES RANGE HOOD LINERS

Enhance your cooking and capture the professional chef's experience with our latest designs of Professional Series range hood liners.

PSL700 SERIES



Experience...

EASY CLEANING

- Dishwasher safe commercial baffle filters
- Functional design is easy to clean. Eliminates grease traps.

QUIET OPERATION

- Rubber-mounted motor & large, squirrel-cage blowers reduce sound and vibration (internal motor models)
- Variable or 3-speed motor control (varies by model) reduces blower and air movement sound
- Large, oversized filters reduce air movement sound
- Sound absorbing duct silencers, Neoprene lined sound absorbing fast clamps & dampers available

ENDURING QUALITY

- Internal motor models deliver 660 CFM or 1360 CFM
- Commercial grade stainless steel (#304, 22-gauge)
- Two oversized 15" x 15" baffle filters improve performance; three on 48", 54" & 60" models
- Two dimmable halogen lights brighten cooking area; three on 48", 54" & 60" models
- Optional in-line blowers delivers 1266 or 836 CFM

DISTINCTIVE DESIGN

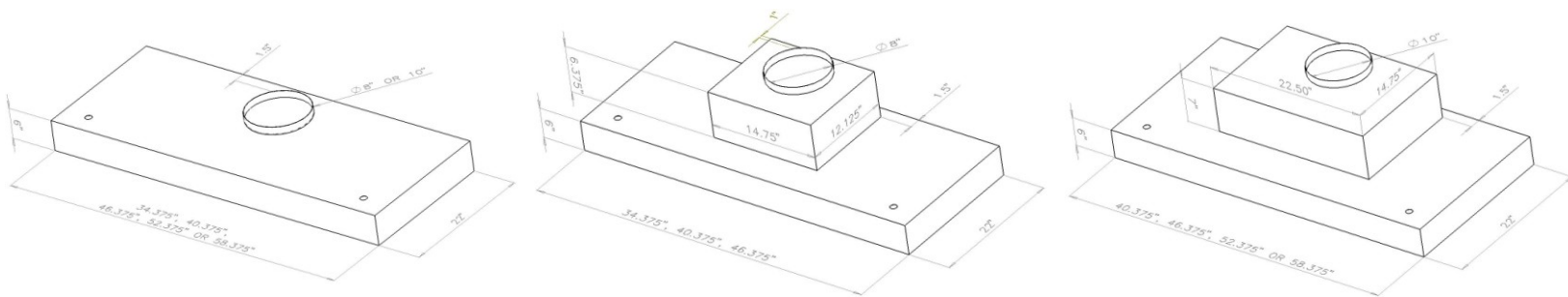
- Style complements ALL custom and manufactured wood hood designs
- Electronic touch controls with blue LED lighting (3-speed internal motor models). Metallic control knobs on all variable speed models.

EASY INSTALLATION

- Remote blower models pre-wired for use with most in-line or exterior blowers
- Variable motor control supplied for most single speed in-line or remote blowers
- Installs easily in standard size or custom built wood range hoods

TRADE-WIND

PROFESSIONAL SERIES RANGE HOOD LINERS



Trade-Wind Liners for use with
In-Line or Remote Blowers

Dimensions		Recommended In-Line Blower	
Models	Width	Model	CFM
PSL736	34 - 3/8"	PSD008XL	836
PSL742	40 - 3/8"	PSD008XL/PSD010XL	836 or 1266
PSL748	46 - 3/8"	PSD010XL	1266
PSL754	52 - 3/8"	PSD010XL	1266
PSL760	58 - 3/8"	PSD010XL	1266

Trade-Wind Liners w/660 CFM
(1 internal motor)

Dimensions	
Model	Width
PSL736-6	34 - 3/8"
PSL742-6	40 - 3/8"

Blower housing and 8" duct collar
is centered left to right on liner.*

Trade-Wind Liners w/1360 CFM
(2 internal motors)

Dimensions	
Model	Width
PSL742-12	40 - 3/8"
PSL748-12	46 - 3/8"
PSL754-12	52 - 3/8"
PSL760-12	58 - 3/8"

Duct start collar is centered left to right. Trade-Wind In-Line Blowers, Duct Silencers, Dampers & Fast Clamps are available from your local Trade-Wind Dealer.*

* Note: Center of electrical access is 2-1/2" from front and 3-1/2" from side of liner.

Recommended Accessories for Models Connected to In-Line or Remote Motor Models

Models	Recommended Trade-Wind In-Line Blower	Duct Silencer	Damper	Fast Clamps
PSL736 (8" vent)	PSD008XL (8", 836 CFM)	PSS008XL (8")	DPR008 (8")	FC8 (8")
PSL742 (10" vent)	PSD008XL (8") or PSD010XL (10", 1266 CFM)	PSS008XL (8") or PSS010XL (10")	DPR008 (8") or DPR010 (10")	FC8 (8") or FC10 (10")
PSL748 (10" vent)	PSD010XL (10")	PSS010XL (10")	DPR010 (10")	FC10 (10")
PSL754 (10" vent)	PSD010XL (10")	PSS010XL (10")	DPR010 (10")	FC10 (10")
PSL760 (10" vent)	PSD010XL (10")	PSS010XL (10")	DPR010 (10")	FC10 (10")

Universal Metal Industries has a policy of continuous improvements and reserves the right to modify (at any time without notice) any or all of its products, features, designs, components and specifications. For further information on installation and wiring, see the installation instructions included with the product or visit us on the web.

For more information please contact your dealer or your Trade-Wind® representative.



**UNIVERSAL
METAL
INDUSTRIES, INC.**

KITCHEN & BATH VENTILATION

800 West Grant Street, Phoenix, AZ 85007

800 875-3654 Phone 800 809-0995 Fax

602 251-3654 Phone 602 251-3889 Fax

umiphx.com customrangehoods.com trade-windonline.com

TRADE-WIND