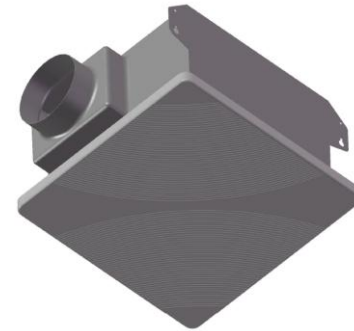




Model 820 Fan Specification Sheet

MODEL 820 VENTILATION FAN



Quiet ventilator built with high performance blower and attractive grille.

FEATURES

GRILLE:

- Engineered resin construction
- Low-profile blends well with any décor
- Torsion spring grille mounting – no tools required

BLOWER:

- Plug-in permanently lubricated motor
- Designed for continuous operation

HOUSING:

- Rugged, 26-gage galvanized steel construction
- Integral key-holed mounting brackets for easy, secure installation directly to joist
- 4-inch round, tapered, steel duct fitting with built-in backdraft damper for easy, positive duct connection

ETL Listed for use over bathtubs and showers when connected to a GFCI protected branch circuit.

TYPICAL SPECIFICATION

Fan shall be Trade-Wind® model 820.

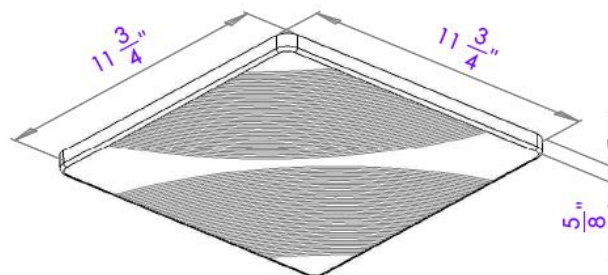
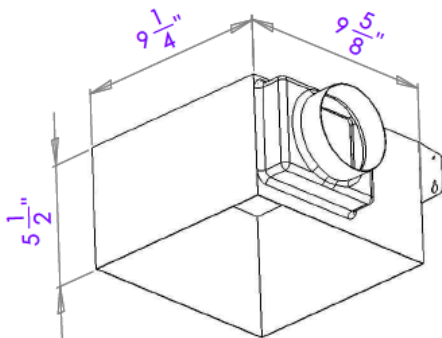
Unit shall have galvanized steel housing with integral mounting brackets. Unit shall have built-in backdraft damper and shall be ducted to a roof or wall cap. Unit shall have galvanized steel 4" duct collar.

Motor to be permanently lubricated and designed for continuous operation.

Air delivery shall be no less than 80 cfm and sound level no greater than 1.5 Sones.

Unit shall be ETL listed for use over bathtubs and showers when connected to GFCI protected branch circuit.

Model	Static Pressure	CFM	Sones	Fan Watts	Duct
820	0.10	80	1.5	25.7	4" Round
	0.25	65			



**UNIVERSAL
METAL
INDUSTRIES, INC.**

800 West Grant Street, Phoenix, AZ 85007
 800 875-3654 Phone 800 809-0995 Fax
 602 251-3654 Phone 602 251-3889 Fax
 umiphx.com trade-windonline.com

